



INSTRUCTIONS

-J04877

REV. 2009-07-23

PREMIUM STEREO HELMET HEADSET KIT

GENERAL

NOTE

Some local governments prohibit or restrict the use of headset (helmet-mounted) speakers. Check with local authorities and obey all applicable laws and regulations.

Kit Numbers

77147-98A, 77156-98A, 77117-10

Models

For sound system fitment information, see the P&A retail catalog or the Parts and Accessories section of www.harley-davidson.com (English only).

For radios with software versions earlier than 8.21.0 (2006-2009 models) it may be desirable to update the software to get more VOX (voice-activated) microphone adjustment at the upper settings.

The CD included with Kit 77117-10 can be used to update the radio to software version 8.21.0. The software update is also available from a Harley-Davidson dealer, or visit www.harley-davidson.com to download a copy to CD.

The headset in this kit can be mounted on both open face or full face helmets. It will also fit **many** half helmets with the additional purchase of a Helmet Communication Pouch.

See the Motorclothes® Merchandise section of www.harley-davidson.com (English only) for the Helmet Communication Pouch part numbers and a selection of half helmets that can be fitted with the pouch.

Kit Contents

See Figure 7 and Table 1.

HEADSET INSTALLATION

NOTE

Carefully follow the installation procedures given in this instruction sheet. Harley-Davidson® makes no warranties, expressed or implied, to cover helmets damaged by improper installation of this headset.

If the procedures are not within your capabilities, or if you do not have the correct tools, have a Harley-Davidson dealer perform the installation.

Headset Connector and Microphone Installation

NOTE

Two different helmet clamp styles are provided to fit different helmet shell designs.

1. See Figure 1. Position the headset connector housing (1) to the outer left side of the helmet shell (5), with the boom (2) forward. Position the selected clamp (3) to the inner left-side helmet edge, **between** the liner (6) and shell.

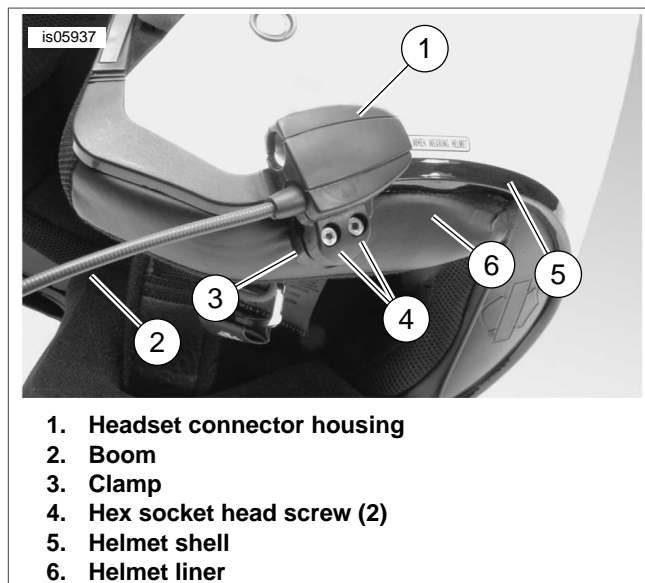


Figure 1. Clamp Placement on Helmet

2. Assemble the headset connector housing to the clamp with the two screws (4), but do not fully tighten at this time.
3. Put the helmet on. Adjust the boom and the headset connector housing position as necessary to place the microphone and wind sock in front of the mouth.
Remove the helmet. Use the hex key (10) to tighten the clamp screws to hold the headset securely to the helmet.

Speaker Installation

NOTE

Ambient temperature should be **at least** 60 °F (16 °C) for proper adhesion of the speakers to the helmet.

1. See Figure 7. The speakers must be mounted to a hard surface on the inside of the helmet using the supplied hook and loop fasteners (7).
 - If the helmet **HAS** removable ear pads, remove the ear pads from inside the helmet.
 - If the helmet **DOES NOT HAVE** removable ear pads, it may be necessary to cut out a small piece of the fabric liner on each side of the helmet to get to the hard inner surface of the helmet shell.
2. Clean the speaker mounting areas inside the helmet with a mixture of 50-70% isopropyl alcohol and 30-50% distilled water. Allow to dry thoroughly.
3. Remove the backing from **one side** of the hook and loop fastener. Press the assembled adhesive-backed fastener onto a hard surface within the ear pad recess area.

NOTE

The left-side speaker has a shorter wire.

- Remove the backing from the remaining side of the fastener, and press the speaker onto the adhesive-backed fastener. Repeat the fastener and speaker installation for the opposite speaker.
- Starting at the helmet clamp, use the wooden stick (11) from the kit to insert the speaker wires between the helmet shell and the inner lining. Leave any excess length of speaker wire in a loop at the helmet speakers to provide a strain relief.

RADIO SOFTWARE UPDATE FOR 2006-2009 VEHICLES

Follow these easy instructions to update the software for your Harley-Davidson Advanced Audio system. Once you insert the CD, the radio does all the work.

Check Your Current Radio Software Version Number

Check your current software version just to make sure that your radio software does need to be updated.

- Turn your radio on and select FM mode.
- Turn the ignition key switch to OFF.
- See Figure 2. Press and hold any two soft keys (the numbered buttons on the face of your radio) and then turn the ignition key switch to ACCESS.



Figure 2. Advanced Audio Receiver "Soft" Keys

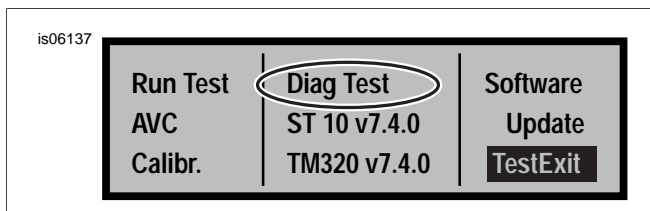


Figure 3. Advanced Audio Receiver "Diag Test" Display

- See Figure 3. Continue to press the soft keys until "Diag Test" is displayed in the middle of the screen.
- Press soft key 4, labeled "Software".

The software version number is listed twice and is preceded by the letter "v", such as "v7.4.0". If this number is lower than 8.21.0, you should proceed with the software update.

Update the Radio

- With your radio in FM mode, eject any CD you may have in the radio.
- Turn the ignition key switch to OFF.

- Press and hold any two soft keys and then turn the ignition key switch to ACCESS.
- Continue to press the soft keys until "Diag Test" is displayed in the middle of the screen.
- Press soft key 5, labeled "Update".
- Insert the CD with your update files into the radio when "Insert CD" is displayed on the radio screen (see Figure 4). Do NOT close the CD player door.

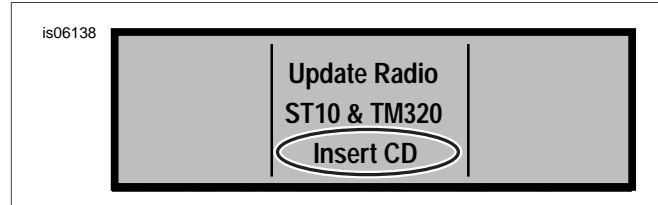


Figure 4. Advanced Audio Receiver "Insert CD" Display

The radio will begin to update the software, a process that will take about seven minutes. A message on the screen will inform you of the progress of the update.

The radio will power down and restart automatically twice during the update.

- After the radio has restarted for the second time, press soft key 6, labeled "Exit" to return to normal radio mode.
- Eject the CD from the radio after the update. If the CD appears jammed or will not eject,
 - Turn off the radio.
 - Turn the ignition key switch to OFF.
 - Remove the main fuse per owner's manual instructions.
 - Wait five minutes, then install the main fuse.
 - When power has been restored, try ejecting the CD again.

Confirm the Update was Successful

Now that the update process has completed, verify that it was successful by reviewing the software version number on the radio screen.

- Make sure the radio is in FM mode, then turn the ignition key switch to OFF.
- Press and hold any two soft keys and then turn the ignition key switch to ACCESS.
- Continue to press the soft keys until "Diag Test" is displayed in the middle of the screen.
- Press soft key 4, labeled "Software".
- Verify the software version number is now "ST10v8.21.0" and "TMS320v8.21.0". If the software version number does not display as expected, contact a Harley-Davidson dealer for assistance.
- Press soft key 6, labeled "Exit" to return to normal radio mode.

OPERATION

1. Plug in the coiled audio cable at the headset and audio source. See Figure 5.

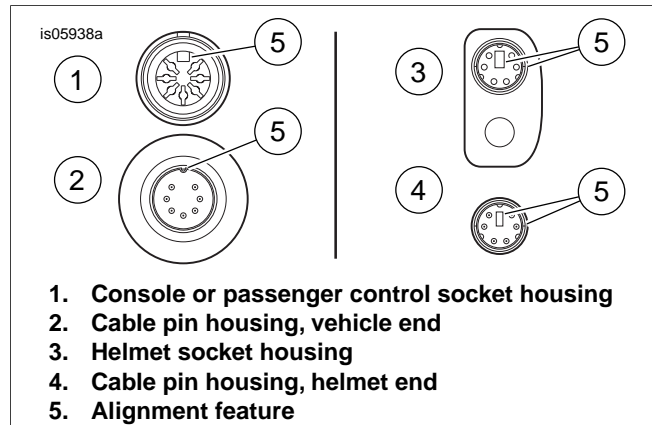


Figure 5. Headset Cable Connector Alignment Features

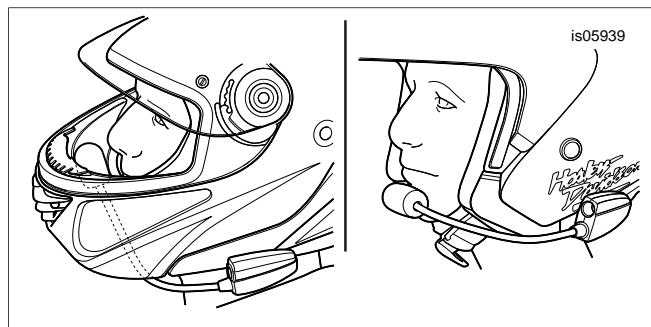


Figure 6. Microphone Positioning

2. See Figure 6. After putting the helmet on, position the boom and microphone.
 - a. **With full face helmets:** Route the boom **below** the helmet, with the microphone oriented upright **inside** the helmet, so the boom does not touch the chin.
 - b. **With open face or half helmets:** Position the microphone lightly touching or directly to the left of the lips.

CAUTION

Do not pull on the cord to remove the headset from the socket. Pull on the headset jack to disconnect the headset from the socket. (00174a)

3. Detach the audio cable from the audio source and headset, and store when not in use.

WARNING

Do not select a volume level that blocks out traffic noise or interrupts the concentration necessary for safe operation of the motorcycle. Distractions or a volume level that blocks out traffic noise could cause loss of control resulting in death or serious injury. (00539b)

SERVICE PARTS

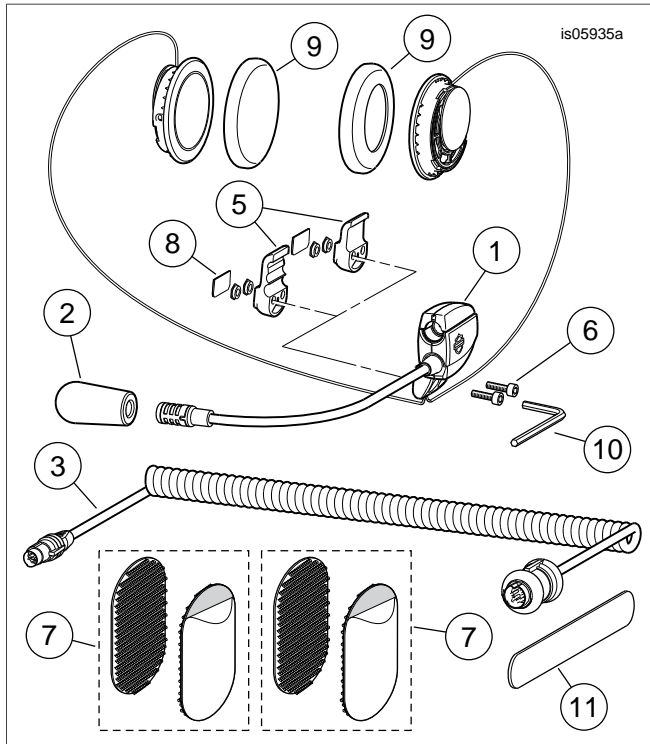


Figure 7. Service Parts, Premium Stereo Helmet Headset

Table 1. Service Parts

Item	Description (Quantity)	Part Number
1	Headset/microphone assembly <ul style="list-style-type: none"> • Kit 77147-98A (1) • Kit 77156-98A (2) • Kit 77117-10 (1) 	Not sold separately
2	Wind sock <ul style="list-style-type: none"> • Kit 77147-98A (1) • Kit 77156-98A (2) • Kit 77117-10 (1) 	77126-10
3	Headset cord <ul style="list-style-type: none"> • Kit 77147-98A (1) • Kit 77156-98A (2) • Kit 77117-10 (1) 	77148-10
4	Hardware kit (includes items 5-9) <ul style="list-style-type: none"> • Kit 77147-98A (1) • Kit 77156-98A (2) • Kit 77117-10 (1) 	77151-98A
5	• Clamp, headset connector housing (two styles)	Not sold separately
6	• Screw (2)	Not sold separately
7	• Hook-and-loop fastener (2)	Not sold separately
8	• Cover plate	Not sold separately
9	• Earpad, speaker (2)	76529-10
10	Hex key, 9/64 inch <ul style="list-style-type: none"> • Kit 77147-98A (1) • Kit 77156-98A (2) • Kit 77117-10 (1) 	Not sold separately
11	Wood stick	Not sold separately
12	CD, software update <ul style="list-style-type: none"> • Kit 77117-10 (1) 	Not sold separately