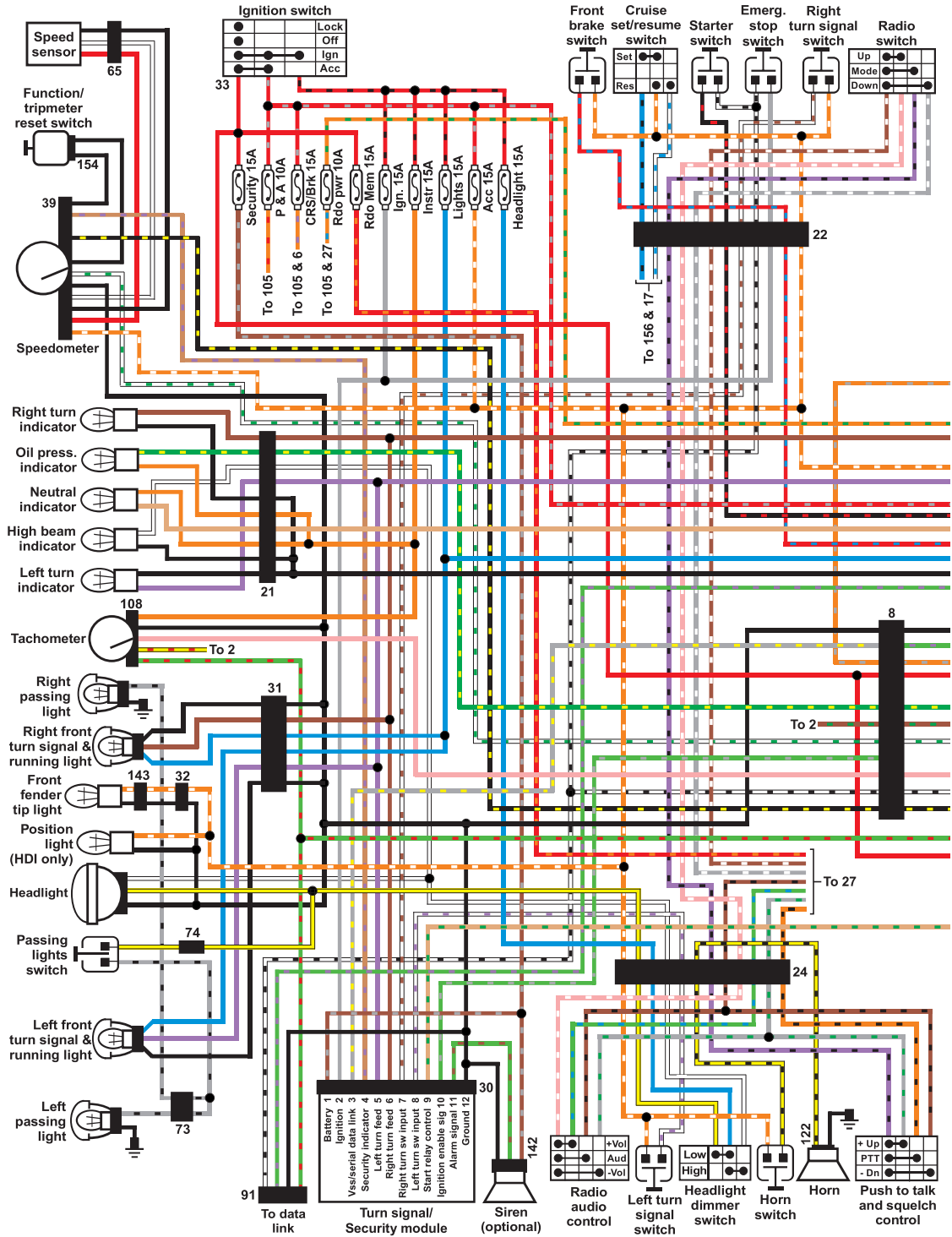
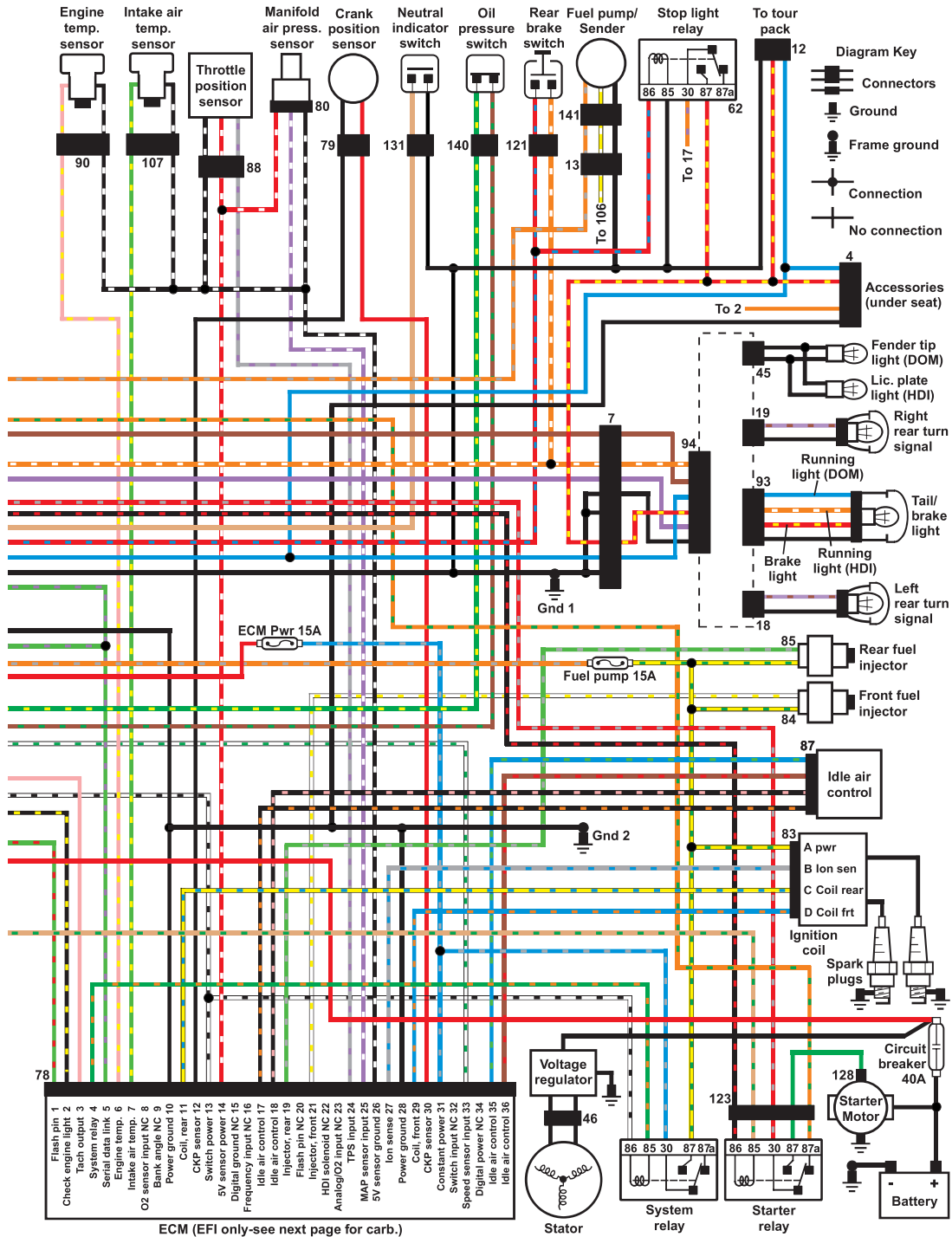
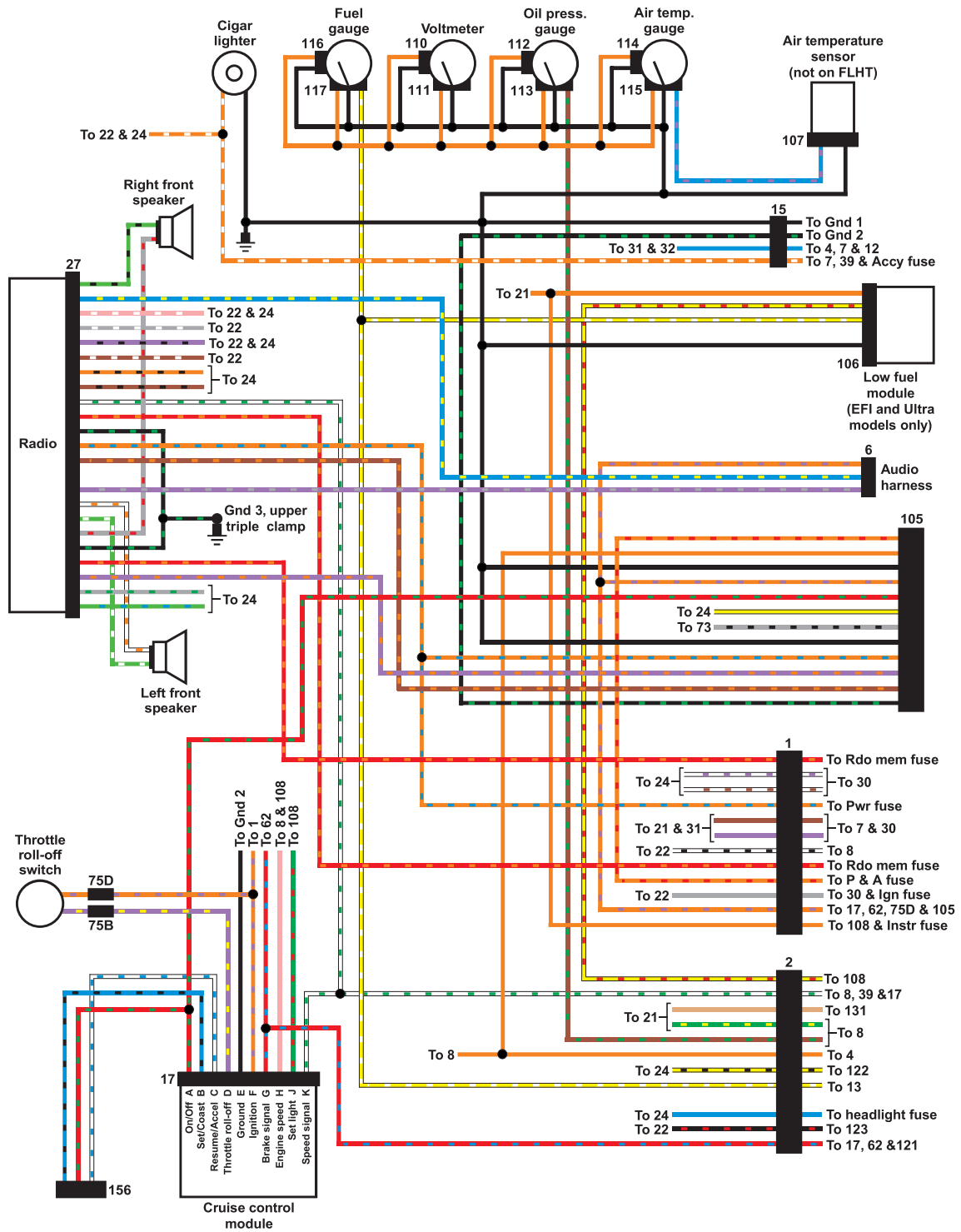


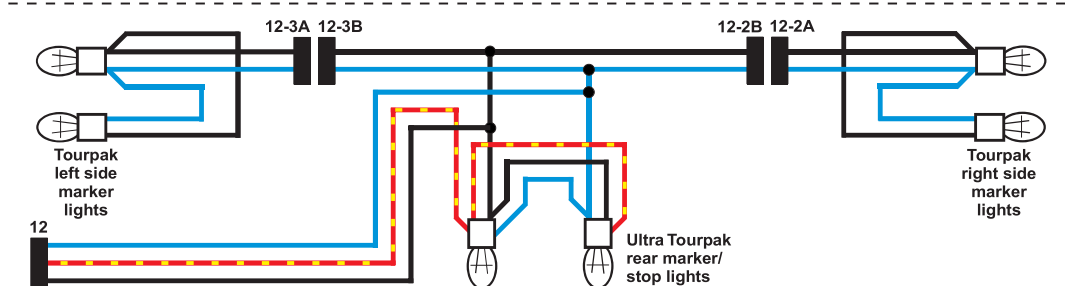
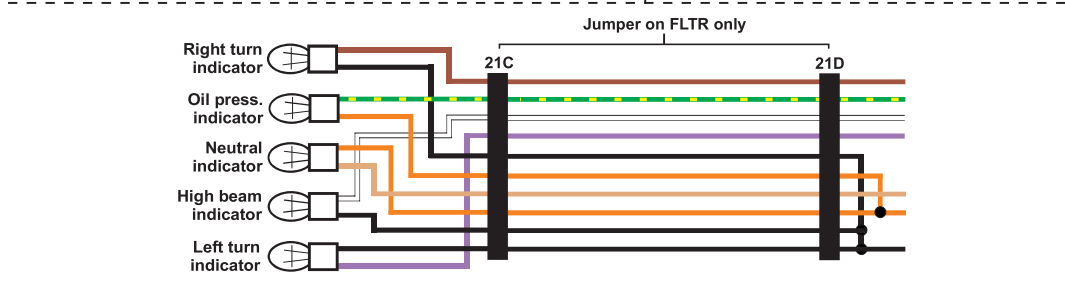
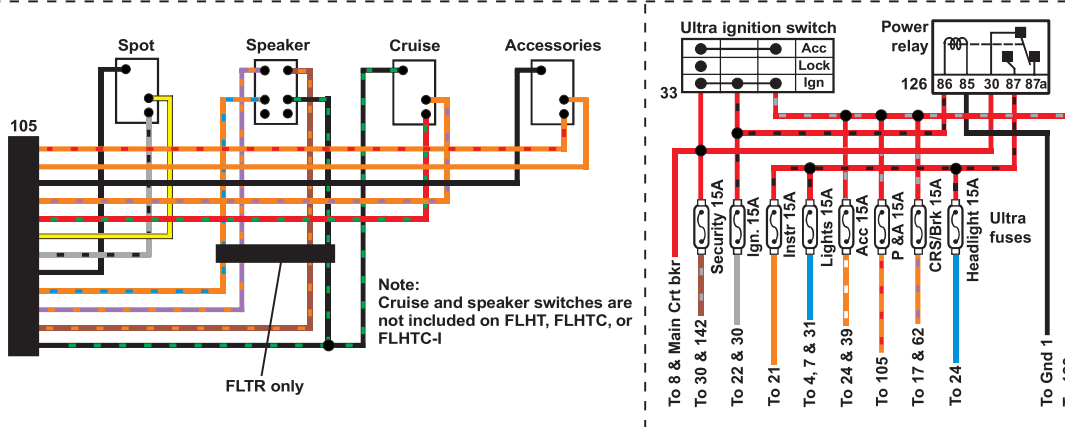
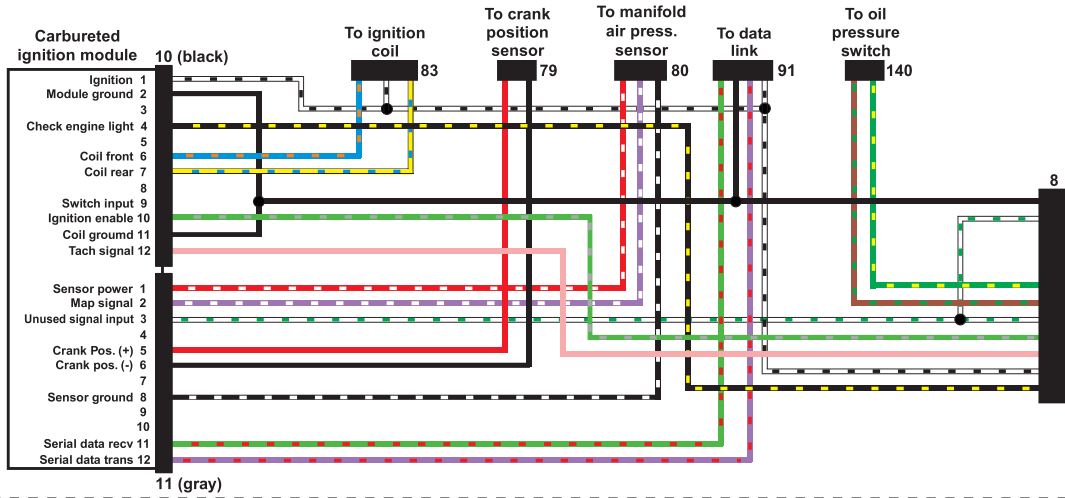
2003 FLHT AND FLTR SERIES



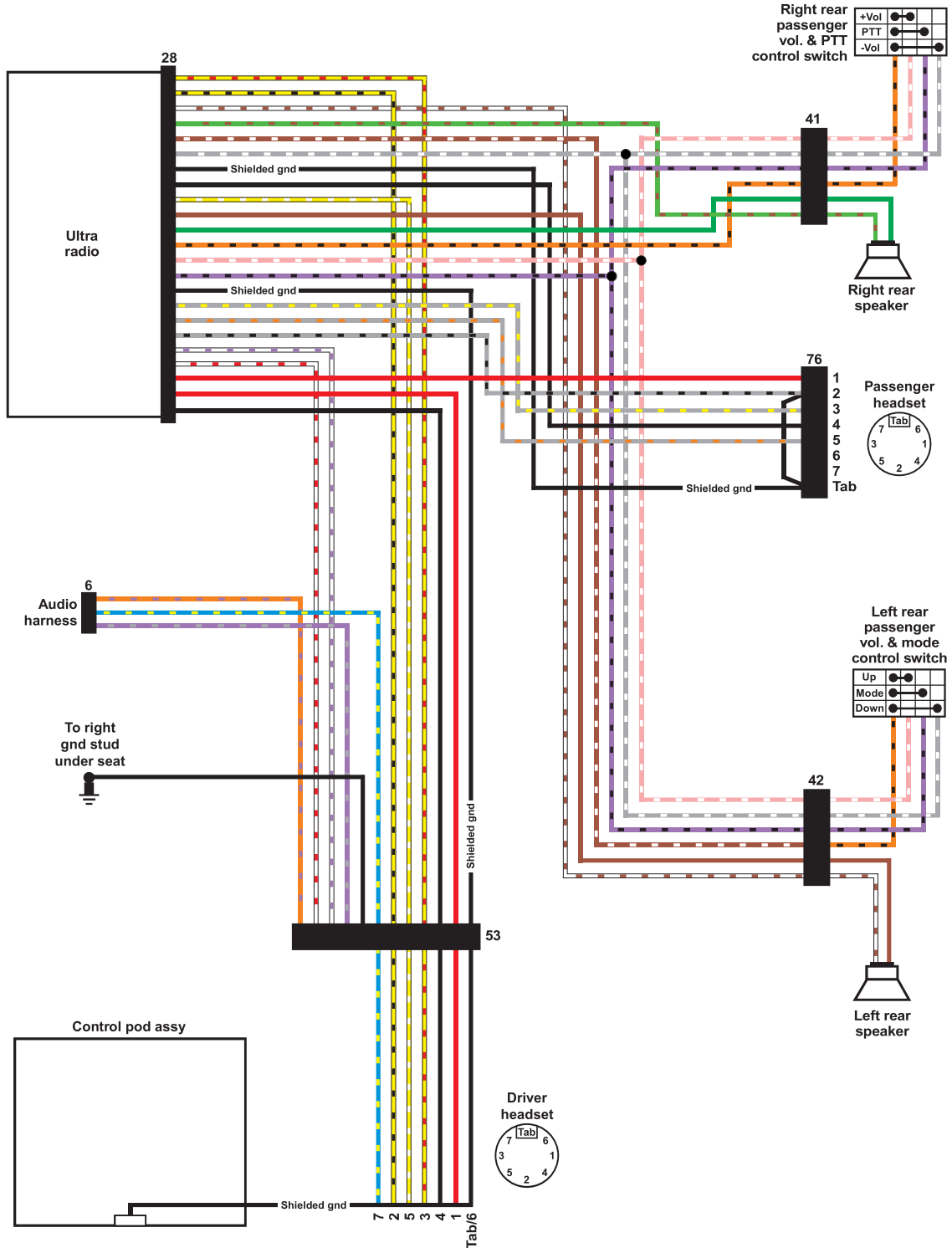


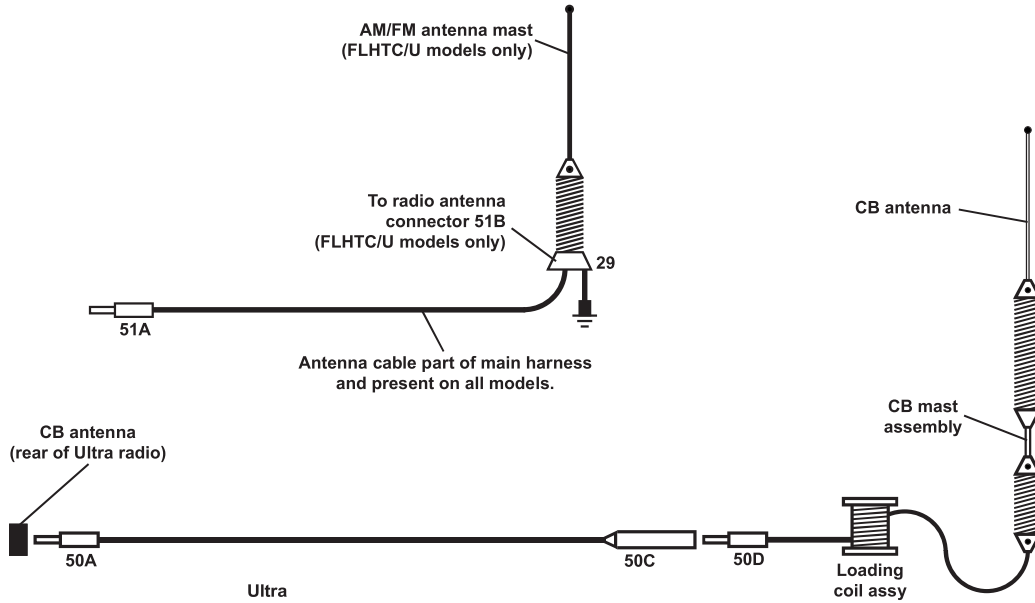
2003 FLHT AND FLTR SERIES (CONTINUED)





2003 FLHT AND FLTR SERIES (CONTINUED)





Ultra radio 28

Radio pinouts

Rt front headset (+)	1
Front headset common	2
Left rear speaker	3
Right rear speaker	4
C4 (rear control matrix)	5
R1 (rear control matrix)	6
Rear mic shield	7
Rear mic common	8
Left front headset	9
Left rear speaker (+)	10
Right rear speaker (+)	11
C3 (rear control matrix)	12
R0 (rear control matrix)	13
R2 (rear control matrix)	14
Front mic shield	15
Right rear headset (+)	16
Left rear headset (+)	17
Rear headset common	18
N/C	19
N/C	20
Rear mic	21
Front mic	22
Front mic common	23

Handlebar matrix

	C0	C1	C2	C3	C4
R0	Vol. up	Vol. dwn	Menu		Up tune/fast fwd
R1					Dwn tune/rewind
R2		Squelch up	Squelch dwn	Push to talk	Band

Rear control matrix

	C3	C4
R0	Rear vol. up	Up tune/fast fwd
R1	Rear vol. dwn	Dwn tune/rewind
R2	Push to talk	Band

Base radio 27

Rt front speaker (+)	1
Push to talk (mic)	2
R0 (handlebar matrix)	3
R1 (handlebar matrix)	4
R2 (handlebar matrix)	5
C4 (handlebar matrix)	6
C3 (handlebar matrix)	7
C2 (handlebar matrix)	8
Vehicle speed signal	9
Battery	10
Ground	11
Ignition	12
Headset speakers B	13
N/C	14
N/C	15
Left front speaker (+)	16
Left rear headset (-)	17
Right front speaker (+)	18
Ground	19
Battery	20
Headset speakers A	21
C1 (handlebar matrix)	22
C0 (handlebar matrix)	23

