



INSTRUCTIONS

-J05005

REV. 2012-06-20

DAYMAKER LED HEADLAMP KIT

GENERAL

Kit Number

73391-10A, 67700042A

Models

For model fitment information, see the P&A Retail Catalog or the Parts and Accessories section of www.harley-davidson.com (English only).

Additional Parts Required

⚠ WARNING

The rider's safety depends upon the correct installation of this kit. Use the appropriate service manual procedures. If the procedure is not within your capabilities or you do not have the correct tools, have a Harley-Davidson dealer perform the installation. Improper installation of this kit could result in death or serious injury. (00333a)

NOTES

This instruction sheet references service manual information. A service manual for your model motorcycle is required for this installation and is available from a Harley-Davidson dealer.

This headlamp kit requires up to 3.75 A current from the electrical system. This may be less than the OE (original equipment) electrical draw which may be 5-6 A.

Kit Contents

There are no service parts available for this kit.

REMOVAL

1. Refer to the service manual and follow the instructions given to perform these generalized steps:
 - a. Remove the seat and disconnect the negative battery cable.
 - b. Remove the headlamp.
 - c. Retain the mounting ring and screws for installation.
 - d. Disconnect the headlamp bulb from the motorcycle harness connector block. Discard the headlamp.

INSTALLATION

⚠ WARNING

To prevent accidental vehicle start-up, which could cause death or serious injury, disconnect negative (-) battery cable before proceeding. (00048a)

1. Plug the headlamp connector of the LED headlamp into the wire harness connector block inside the headlamp bucket.
2. Place the new headlamp into the bucket and install the headlamp assembly components following the instructions in the service manual.

⚠ WARNING

After installing seat, pull upward on seat to be sure it is locked in position. While riding, a loose seat can shift causing loss of control, which could result in death or serious injury. (00070b)

3. Refer to the service manual and follow the instructions given to connect the negative battery cable and install the seat.
4. Test the headlamp for proper operation. Check the headlamp low beam for proper alignment.

HEADLAMP ALIGNMENT PROCEDURE

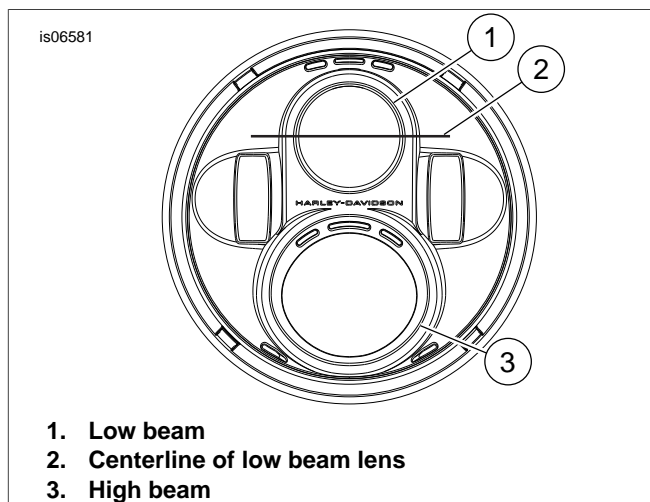


Figure 1. Headlamp Configuration

NOTE

Because of the differences between an LED headlamp and a halogen headlamp, the alignment procedure is performed on both the **low beam** and the **high beam**. Read these instructions thoroughly to properly align the LED headlamp.

1. Verify that front and rear tire inflation pressures are correct and that the suspension is adjusted to the weight of the principal rider. Refer to the owner's manual.
2. Fill the fuel tank or add ballast to equal the weight of the fuel needed.

- See Figure 2. Position motorcycle so that front axle is 25 feet (7.6 meters) (3) from wall.

NOTE

As the weight of the rider will compress the suspension slightly, have a person whose weight is approximately the same as that of the principle rider sit on the motorcycle.

- See Figure 1. With vehicle laden and upright, point the front wheel straight forward at wall and measure the distance from the floor to the center of the **low beam** lens (2). Record this measurement.
- See Figure 2. Draw a horizontal line on the wall at (5) on the wall that is the same measurement as the measurement recorded in Step 4.
- Draw a vertical line (2) off of the perpendicular line (1) so that it crosses through the horizontal line drawn in the previous step.
- If equipped with additional lighting such as passing lamps, verify those lights are OFF during the alignment procedure.

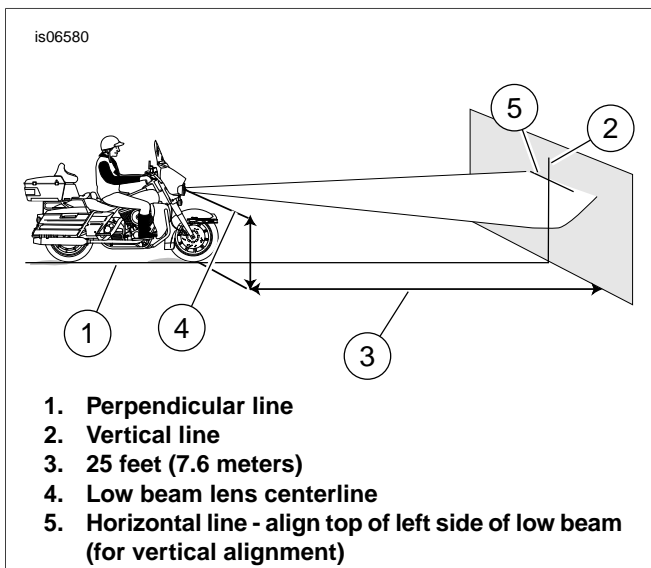


Figure 2. Checking Headlamp Alignment

Alignment of High Beam (Left-to-Right Alignment)

- Verify that the headlamp lens is perpendicular to the front forks for proper left-to-right alignment.
- See Figure 3. With vehicle laden and upright, point the front wheel straight forward at wall.
- Turn on the **high beam** and align the **high beam** hot spot with the vertical line (3).

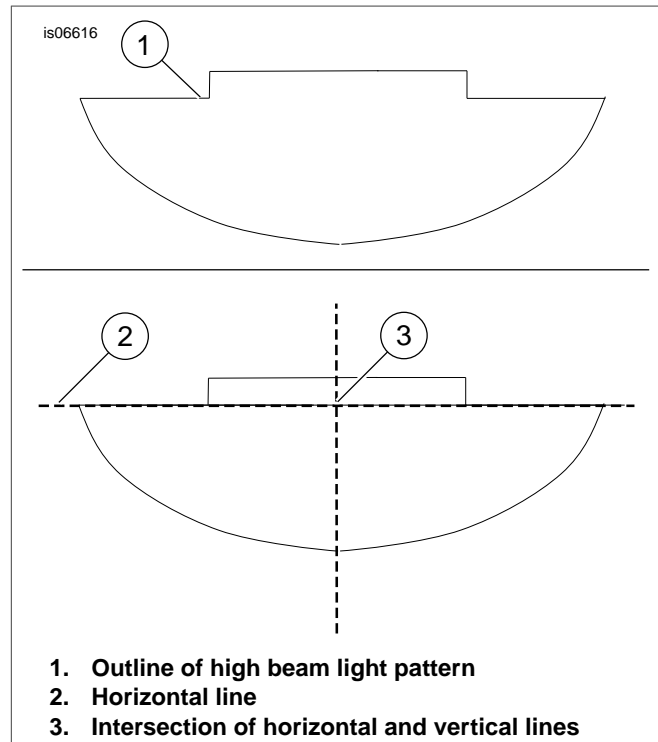


Figure 3. Alignment of Headlamp High Beam

Alignment of Low Beam (Vertical Alignment)

- See Figure 4. Align the left side of the horizontal line of the **low beam** light pattern (3) with horizontal line (2) drawn on the wall. If necessary, adjust the headlamp position by following the adjustment procedure in the service manual.

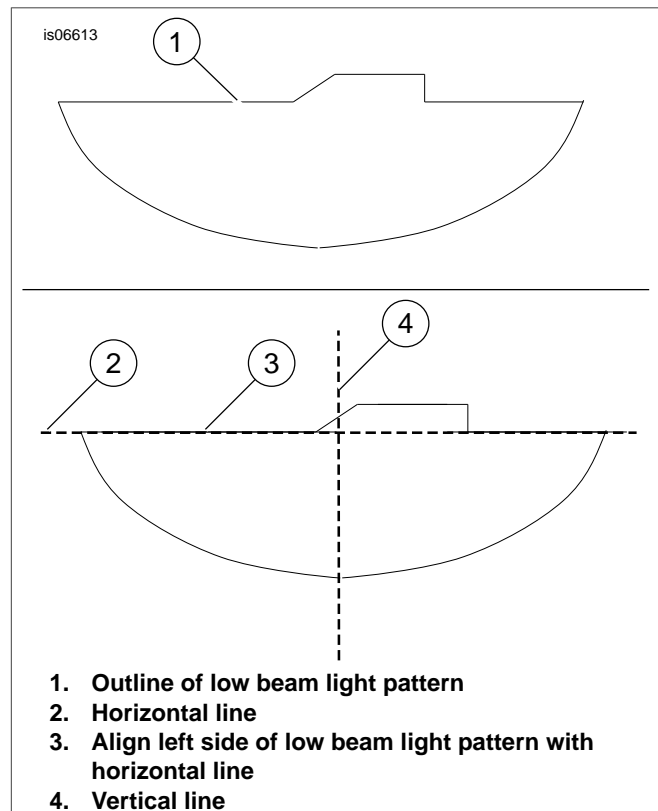


Figure 4. Alignment of Headlamp Low Beam