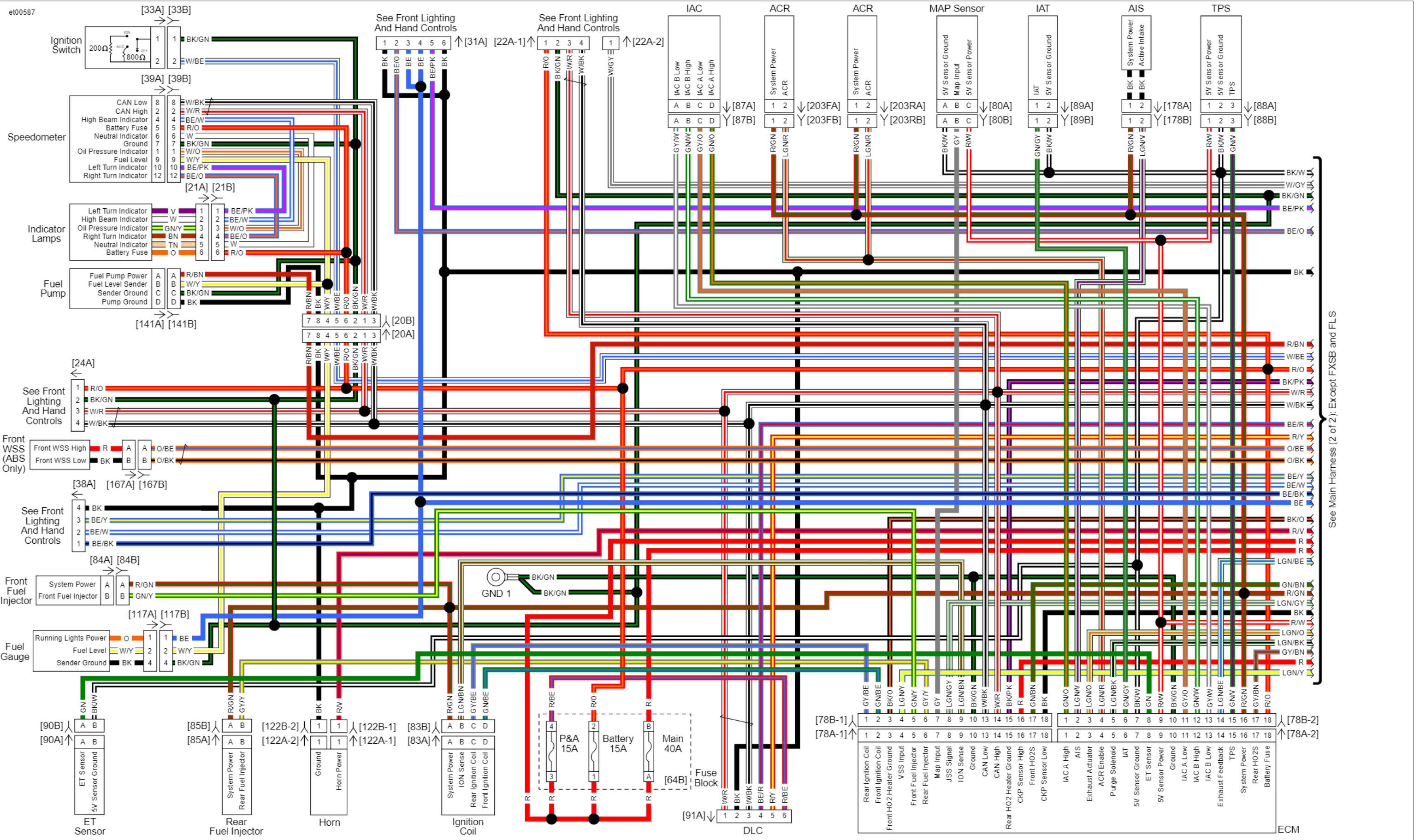
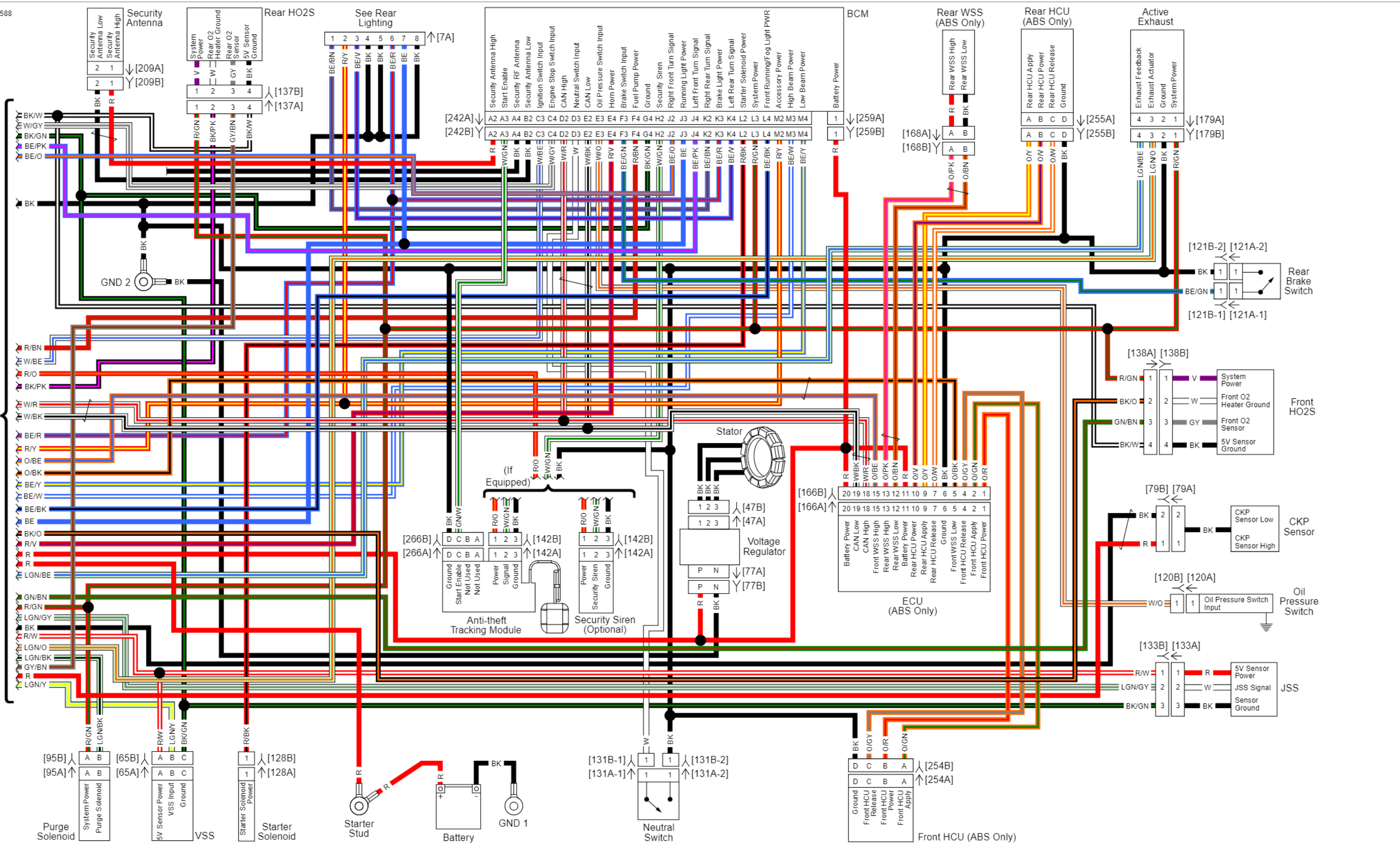


Front Lighting and Hand Controls: 2014 Softail

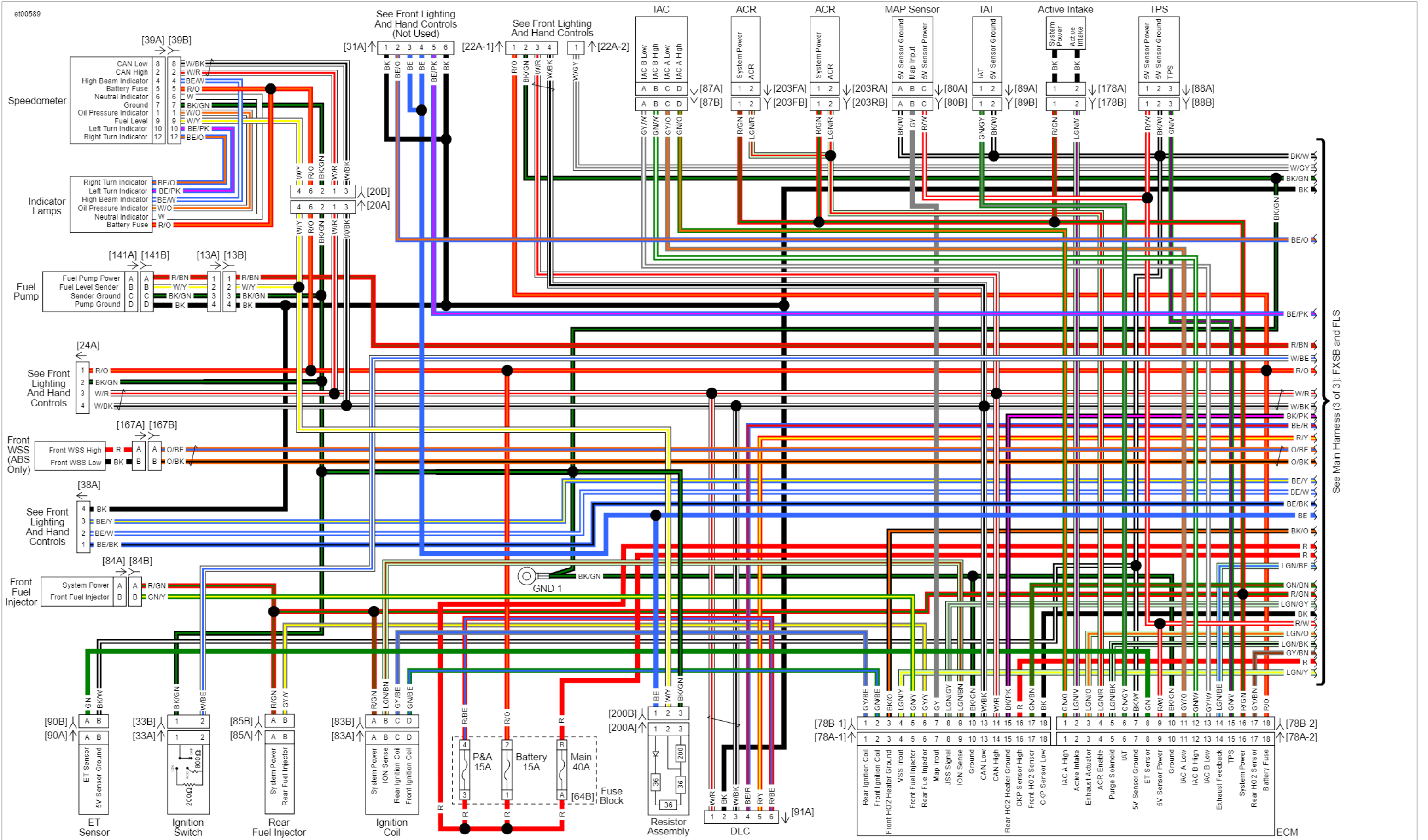


Main Harness 1 of 2: 2014 Softail (Except FXSB and FLS)

See Main Harness (1 of 2). Except FXSB and FLS

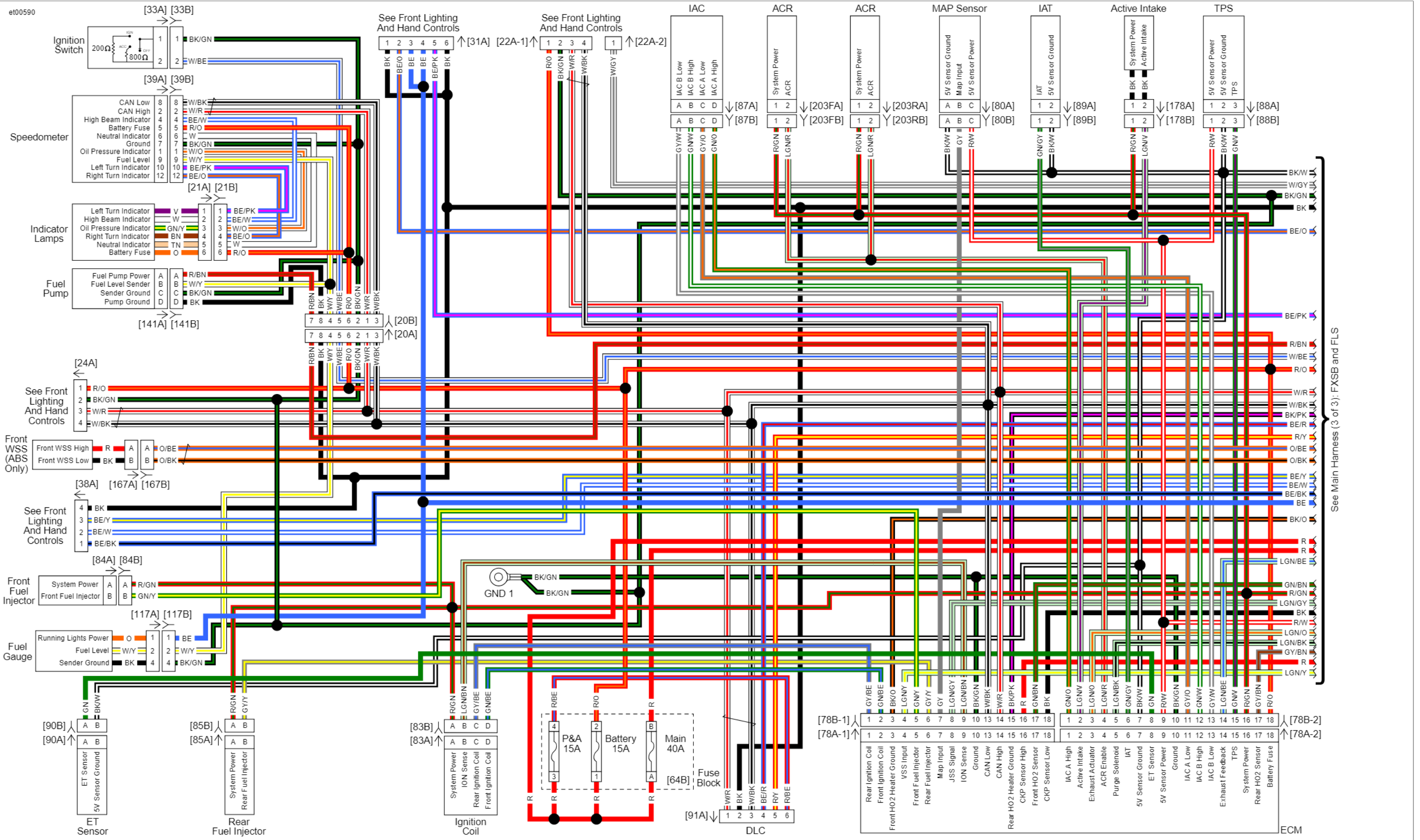


Main Harness 2 of 2: 2014 Softail (Except FXSB and FLS)



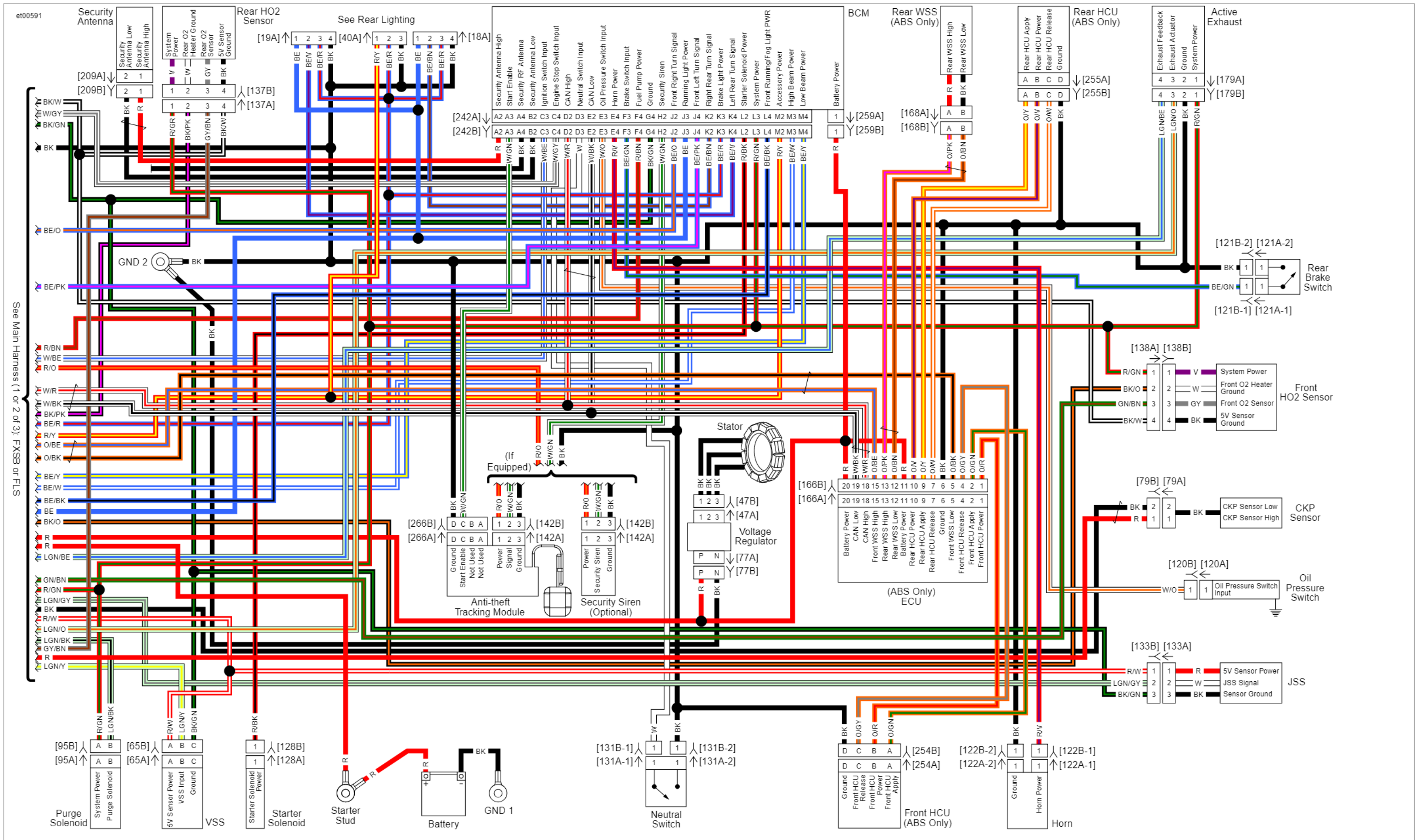
See Main Harness (3 of 3): FXSB and FLS

Main Harness 1 of 3: 2014 Softail (FXSB)

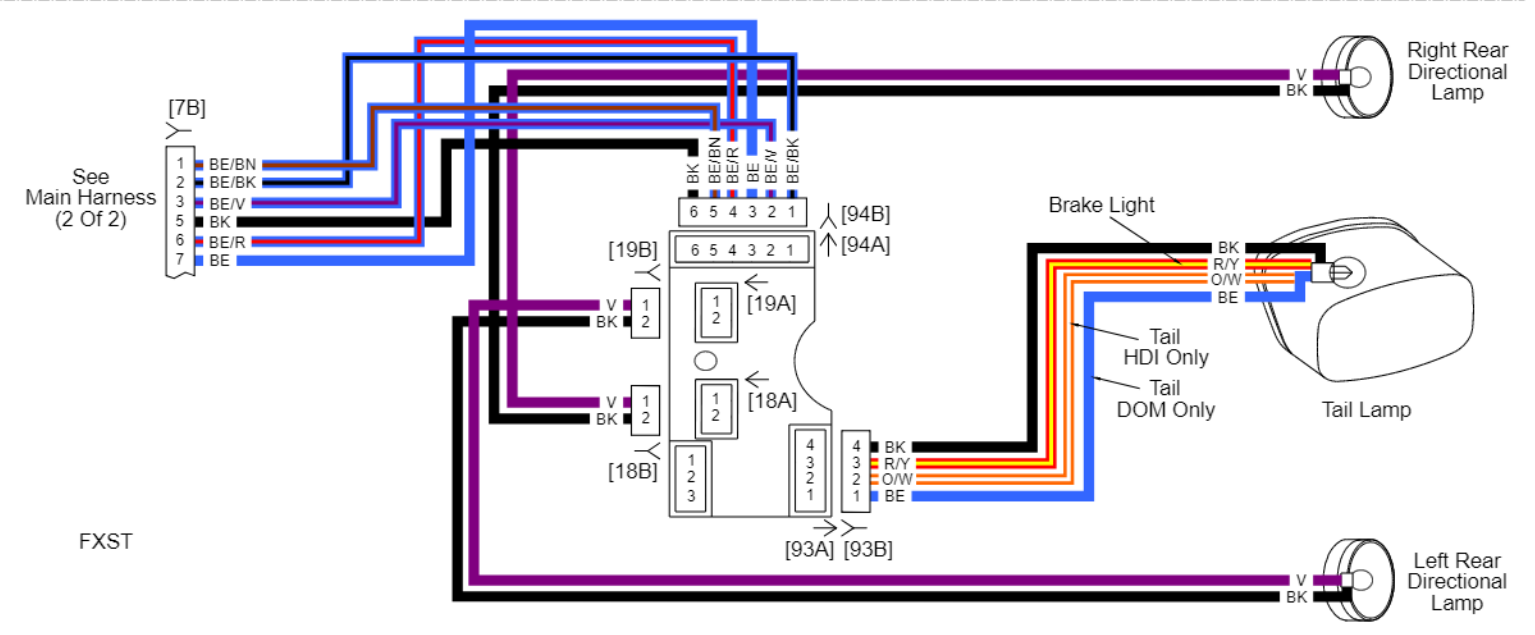
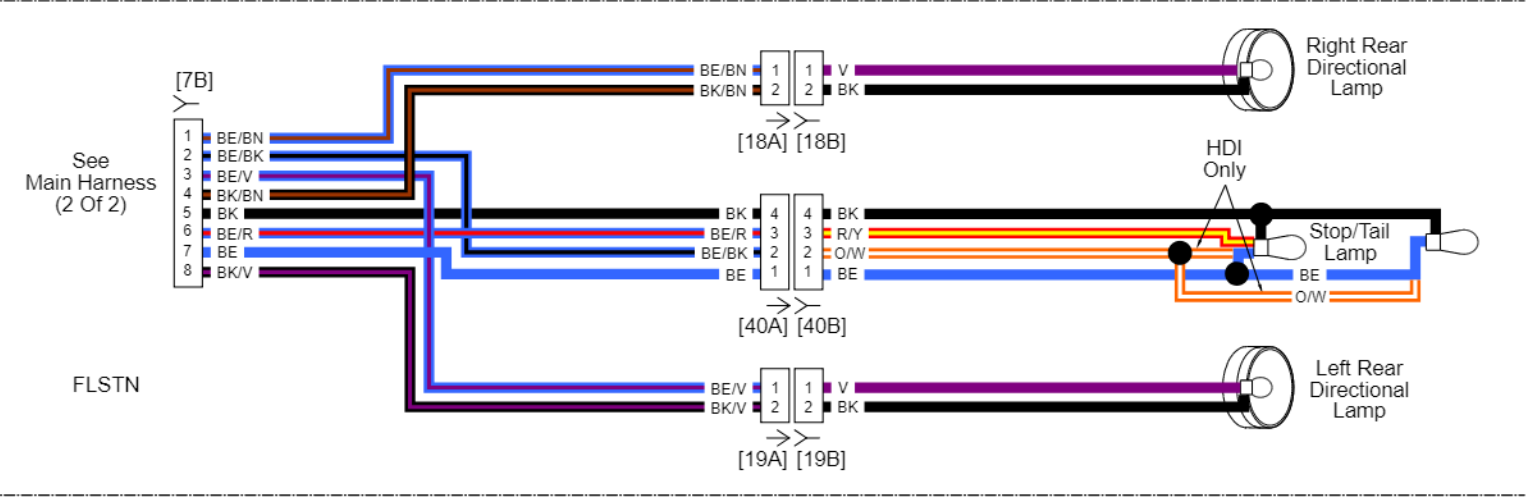
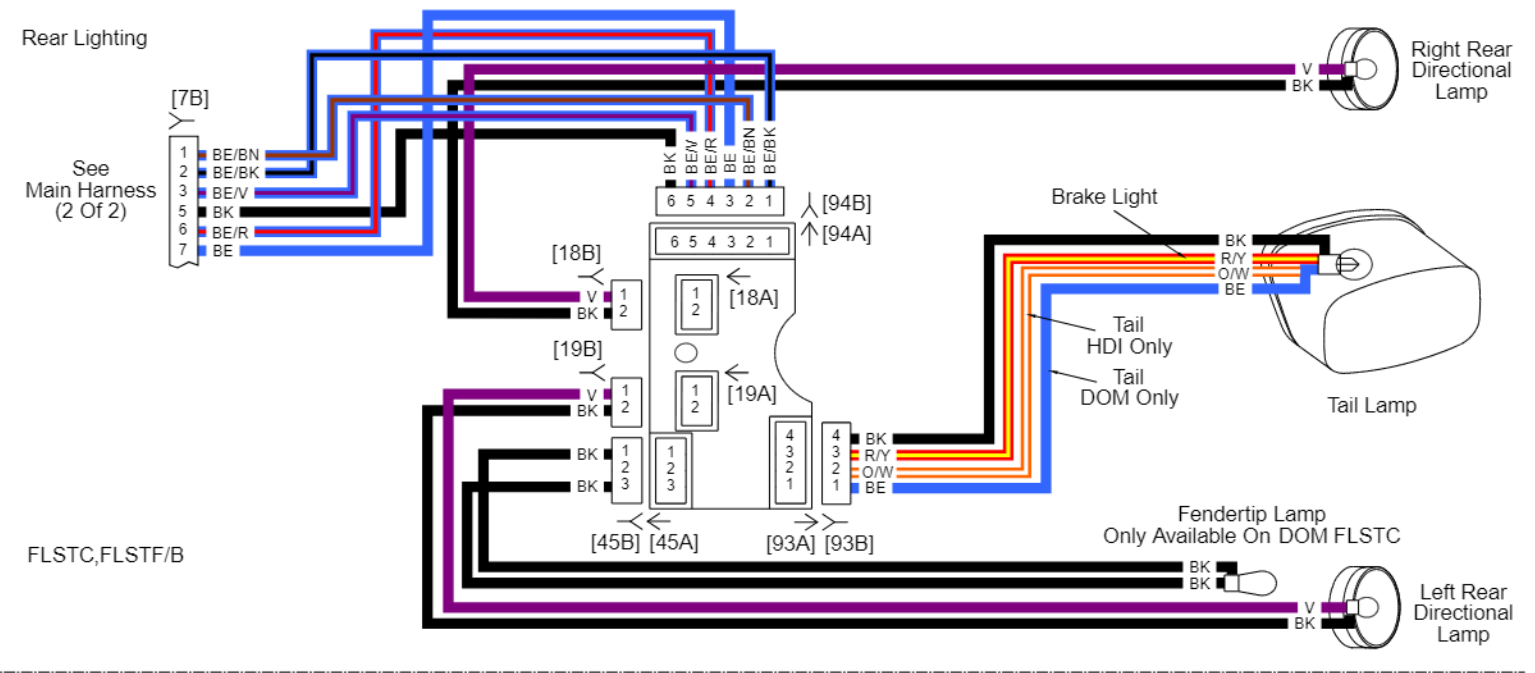
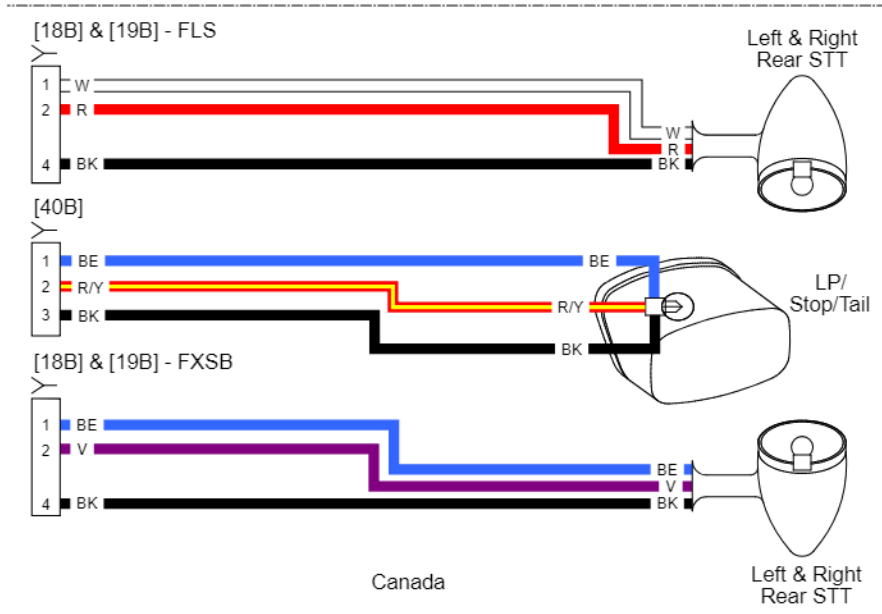
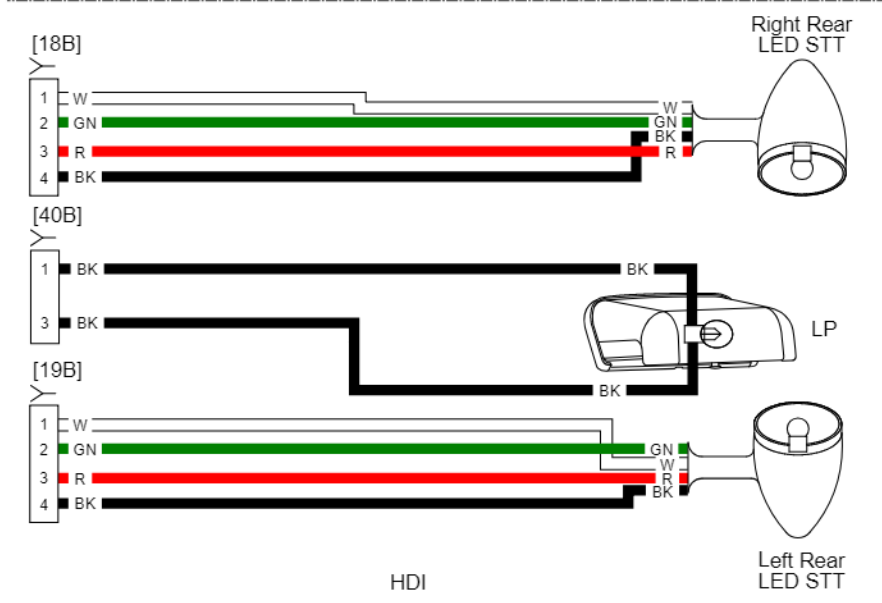
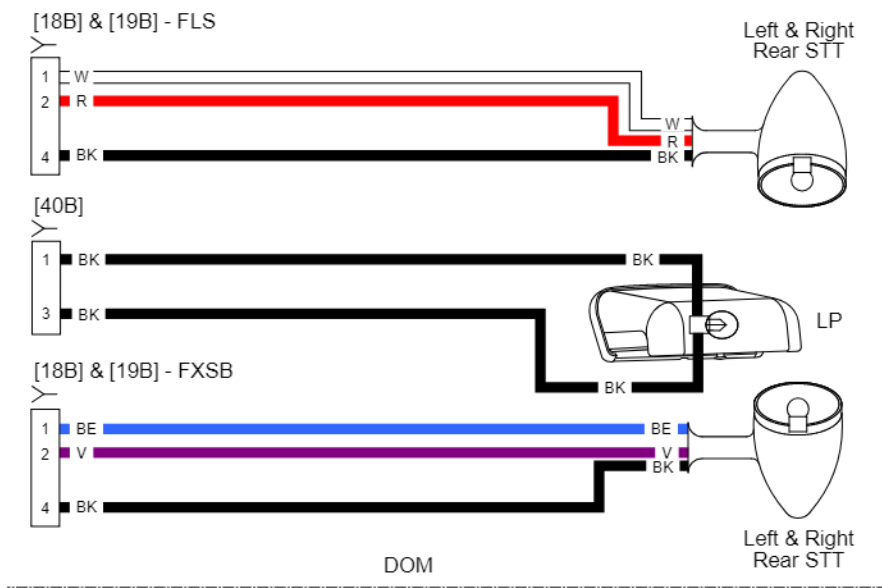


See Main Harness (3 of 3); FXSB and FLS

Main Harness 2 of 3: 2014 Softail (FXSB and FLS)



Main Harness 3 of 3: 2014 Softail (FXSB and FLS)



Rear Lighting: 2014 Softail

